

9522p

Iridium Fixed Install Satellite Phone



Features

- Complete global coverage
- Rugged water resistant design
- Uses maintenance free marine antenna
- Light, compact and robust. Much smaller than alternative fixed install units
- Cabling and base unit can be hidden out of sight behind bulkhead with only handset on display
- Straightforward to install - wall mountable
- Built-in computer datakit. Computer can be connected directly (requires serial port or supported USB adaptor)
- Internet & email access
- SMS messaging capability
- Iridium call costs from just 60p/min

Available with

Iridium Antenna

- Suitable for marine environments
- Omnidirectional



The Iridium 9522p is an extremely compact and robust Iridium satellite telephone with low power requirements and completely global network coverage.

In contrast to the portable Iridium units with external antenna and datakit, the 9522p is significantly more robust, resilient and user friendly. The compact base unit can be easily hidden behind a bulkhead, along with all cabling, leading to a much neater and permanent installation.

The 9522p can be connected to the serial port of a computer and used as a normal computer modem to access the internet or make datacalls. SMS text messages can also be sent (and received from) and received from the handset to other Iridium subscribers. SMS text messages can be sent for free to the Iridium handset either by email, or from the Iridium website.

Specifications

Power Supply:	12/24VDC (Optional AC Adaptor available)
Consumption:	4W during communication 0.5W stand by
Operating Frequency:	1616 to 1626.5 MHz

Dimensions and weight

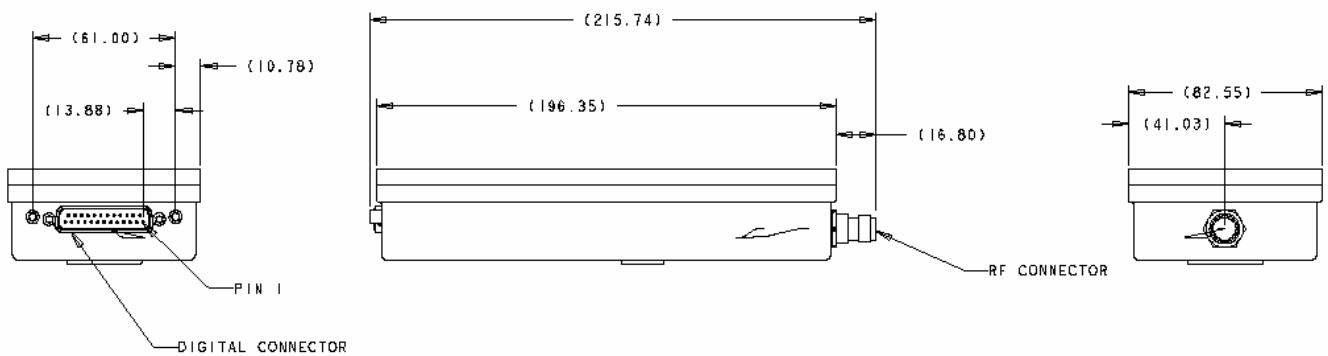
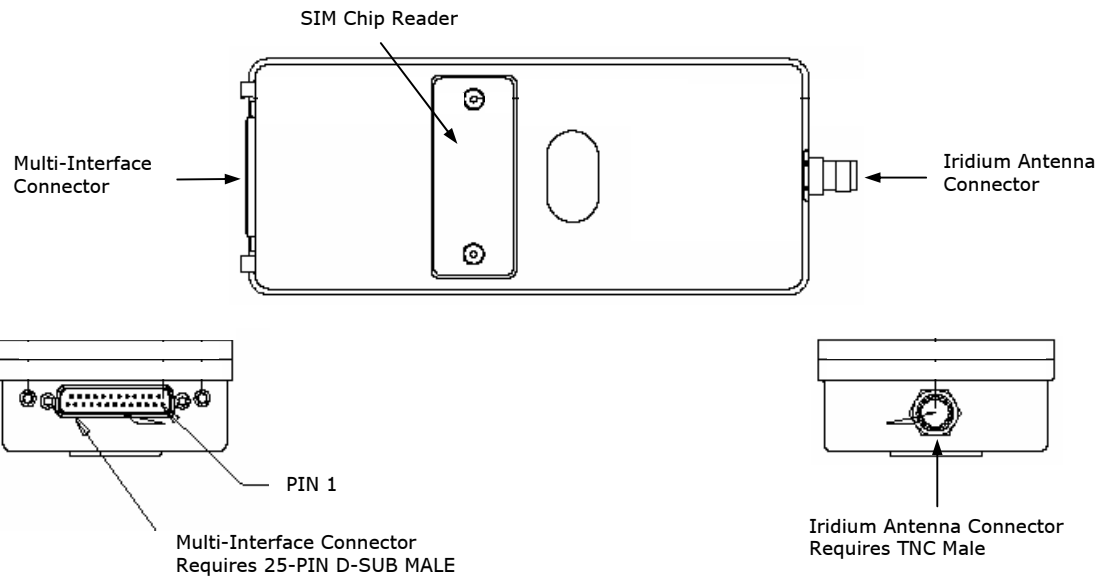
Antenna Unit:	W 96mm x H 140mm Weight 0.2Kg
Transceiver Unit:	W 83mm x H 196mm x D 40mm Weight 0.7Kg
Control Unit:	W 55mm x H 161mm x Depth 26mm Weight 0.2Kg
Keyboard:	4x16 alphanumeric, 32 digits, multiple languages, clock, ringing tones, IDD key, call forward, voicemail, SMS (160 characters).
Enclosure:	Aluminum/EMI shielding

Environmental

Operating Temperature:	-4°F to +140°F (-20°C to +60°C)
Operating Humidity:	< 75% RH
Storage Temperature:	-40°F to +185°F (-40°C to +85°C)
Storage Humidity:	< 93% RH
Items supplied:	Tough base unit, DPL Handset, DC Adaptor, Marineised External antenna + mounting bracket, GPS antenna and user manual.

9522_p

Iridium Fixed Install Satellite Phone



*All dimensions are in mm

Powered by

Iridium Specialists

MAIL@SAIL